

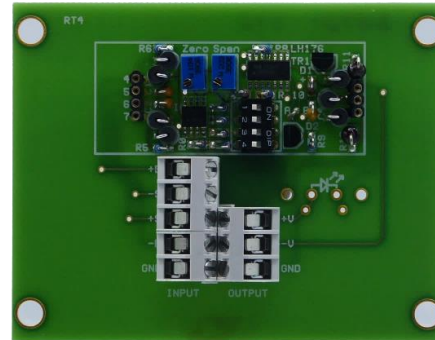
## ASRT4

### 2-Wire 4-20mA / 20-4mA Current-Source Bridge Amplifier

The ASRT4 is a very flexible 2-wire current-source amplifier based on the ASLH176 amplifier. It has individual multi-turn potentiometers for the precise setting of Zero and Span. It has the capability of “reverse-scale” output (20-4mA) and supports a 5:1 range of transducer output signals. It is also available with **mid. zero output** (ie.12mA) for compression / tension transducers. The inputs provide EMI-/RF and voltage transient suppression. Transducer & Power supply wires can be easily connected to the board using the integrated clamp connectors.

### Features

- Wide-range power supply 12-30V
- Current-source bridge excitation
- Size 89mm x 70mm x 17mm height
- Fast calibration procedure
- Reverse-polarity protection
- Reverse-scale output (20-4mA)
- Easy in-the-field gain adjustments
- LED power indicator



### Applications

- Submersible Pressure Transducers
- Hydrostatic/Depth Transmitters
- Overload Protection Systems

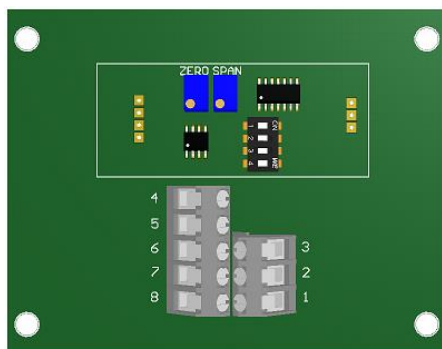
### Ordering

<b>Part number:</b>	<b>ASRT4*</b>
---------------------	---------------

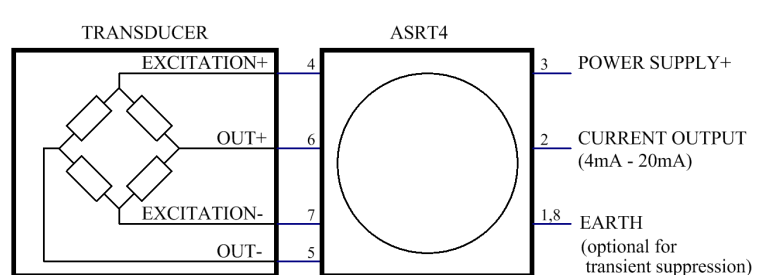
*Please specify whether reverse-scale output is required.	
---	--

Customer specific electrical / mechanical changes are possible – please contact us with your individual requirements.	
---	--

### Board Connections



### Schematic Diagram



### Specifications

Parameter	Min	Typical	Max	Unit
Supply Voltage	12	24	30	V
Current Output – Zero (adjustable control)		4		mA
Current Output – Span (adjustable control)		20		mA
Bridge Sensitivity	30		220	mV
Bridge Resistance			5	kOhms
Bridge Excitation Current <sup>1</sup>		1.6		mA
Current Output Temp. Coefficient – Zero		1		uV/°C



[www.aieng.co.uk](http://www.aieng.co.uk)

Parameter	Min	Typical	Max	Unit
Current Output Temp. Coefficient – Span		0.01		%/°C
Operating Temperature	-20		50	°C

<sup>1</sup>Also available with 0.8mA bridge excitation current (for transducers with very large bridge resistance).

### Optional Extras (Enclosure)

Part number:	ASRT4-ENCL1	IP66 ABS Enclosure (120 x 80 x 55 mm) with Power indicator (5mm red LED chrome bezel) and Cable glands (PG7, PG9)
--------------	-------------	---

